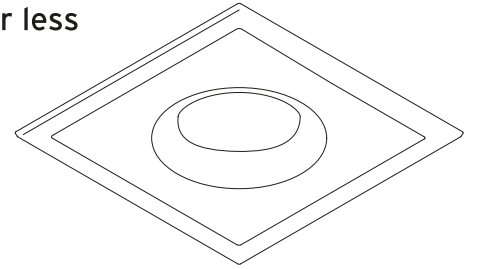
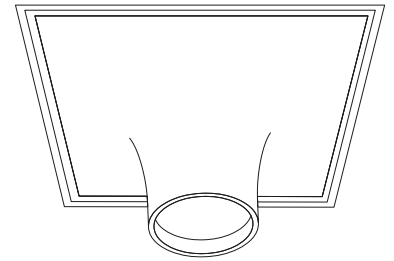


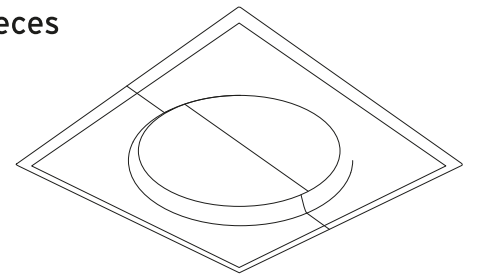
TYPE N°1 5 kg or less



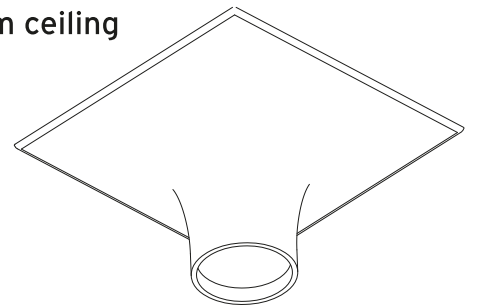
TYPE N°2 more than 5 kg



TYPE N°3 cut pieces



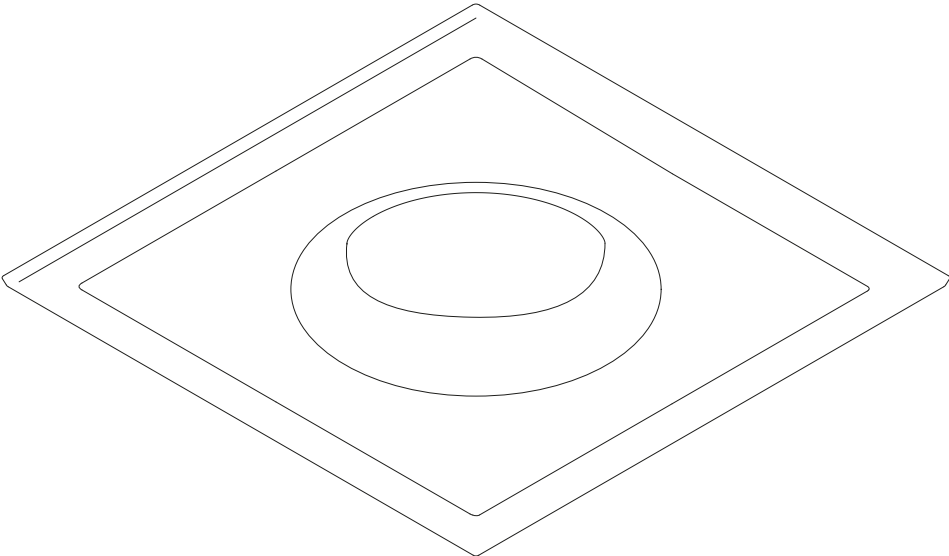
TYPE N°4 system ceiling

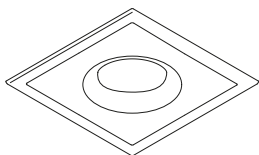


USOS

TYPE N°1

5kg or less

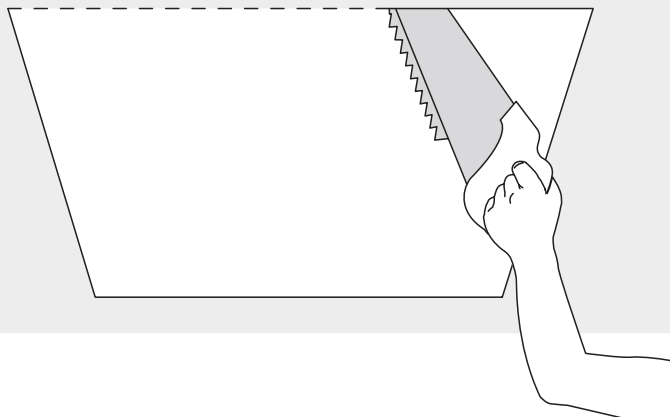


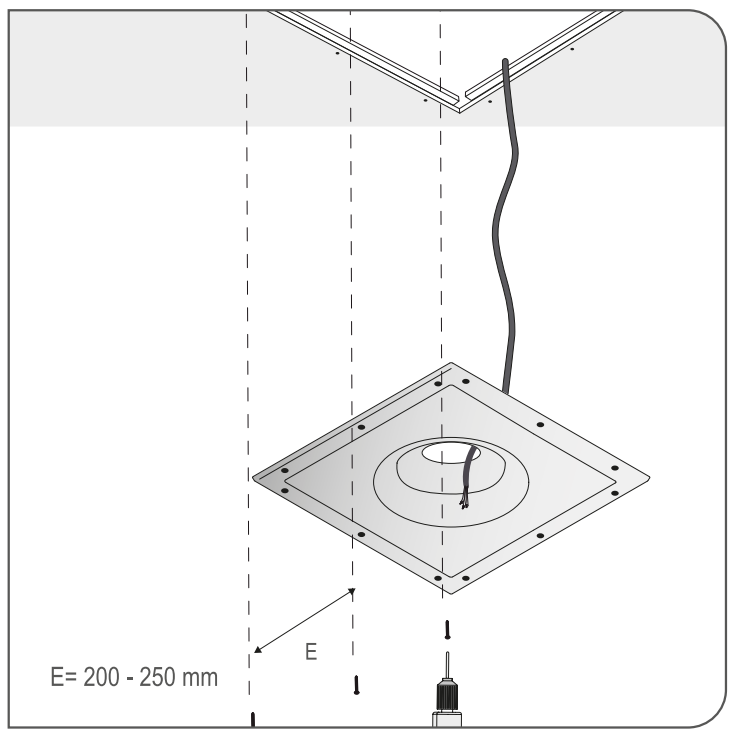
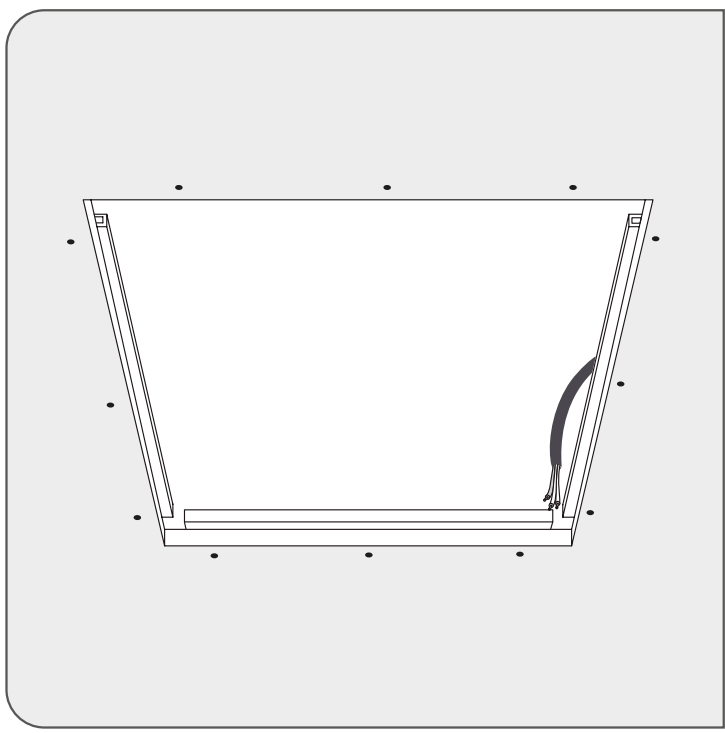
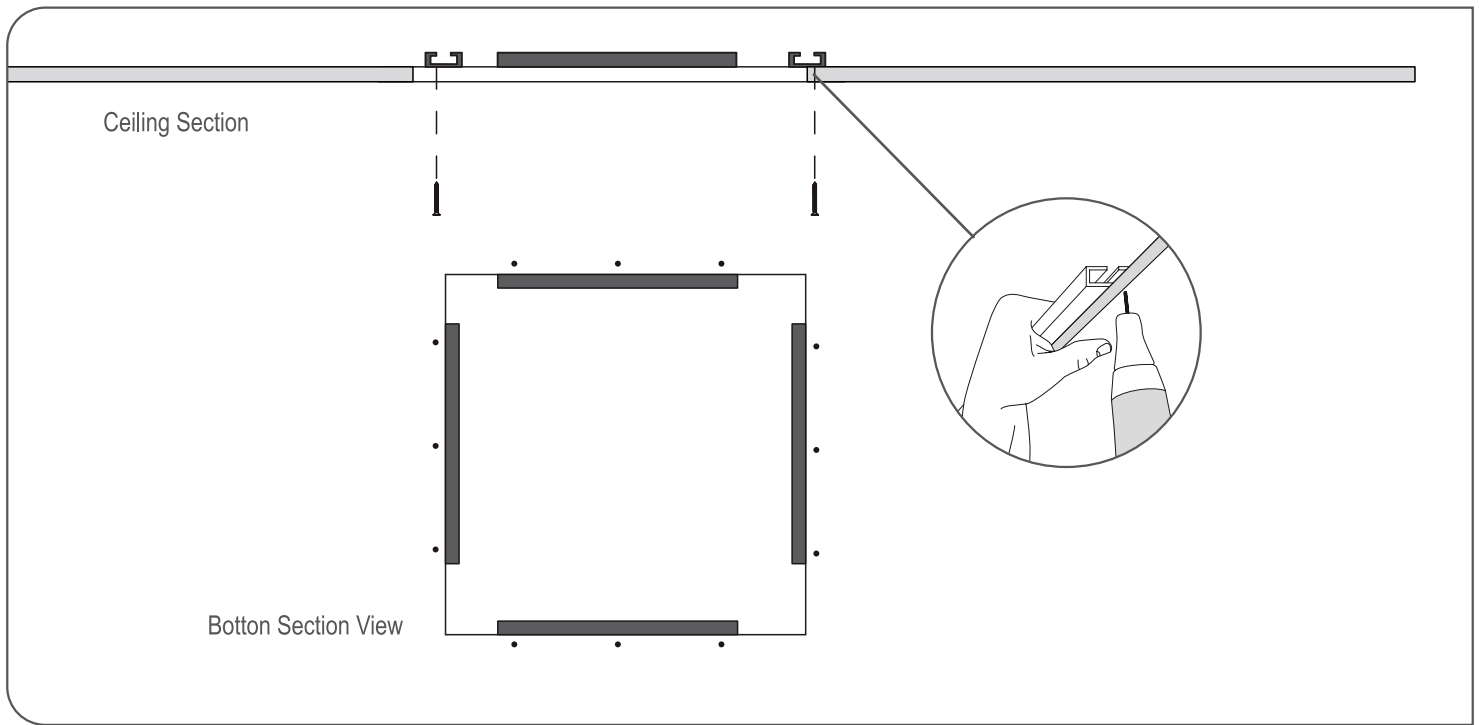


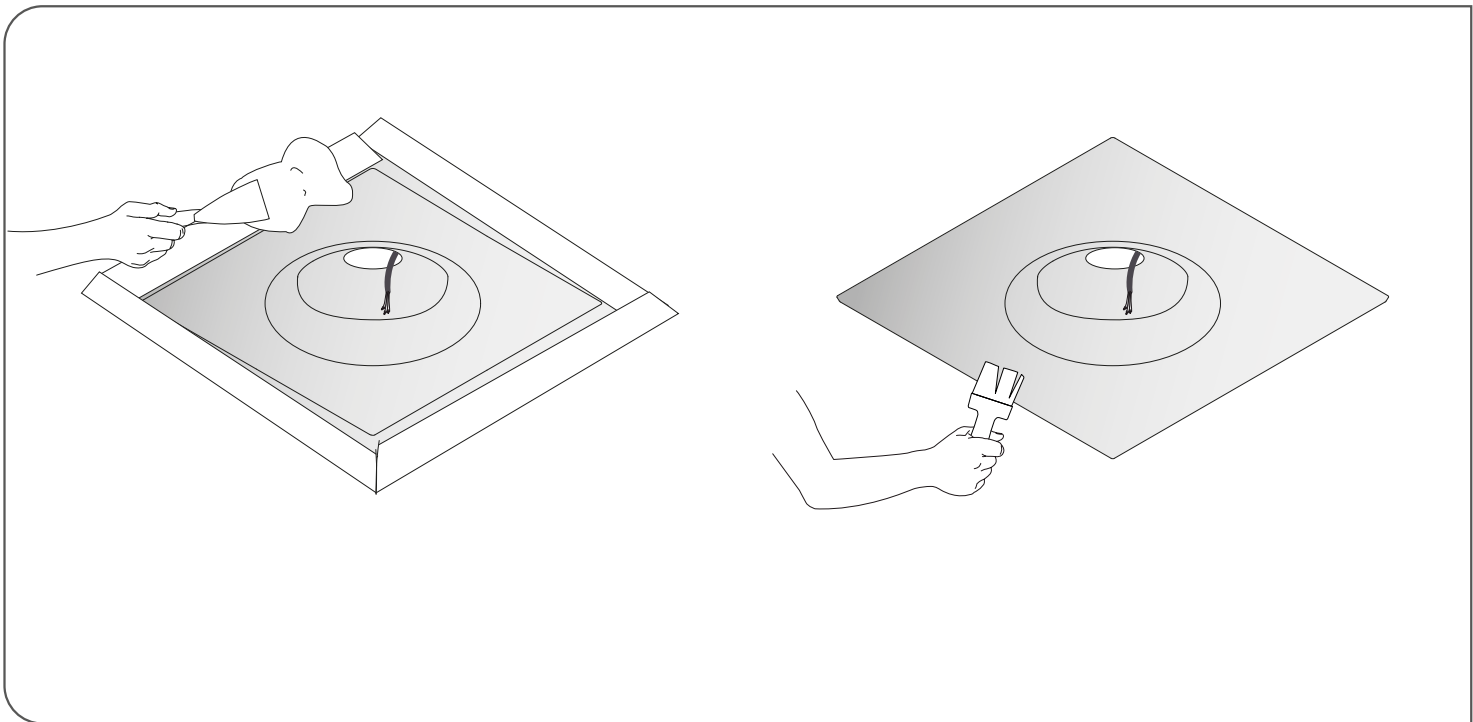
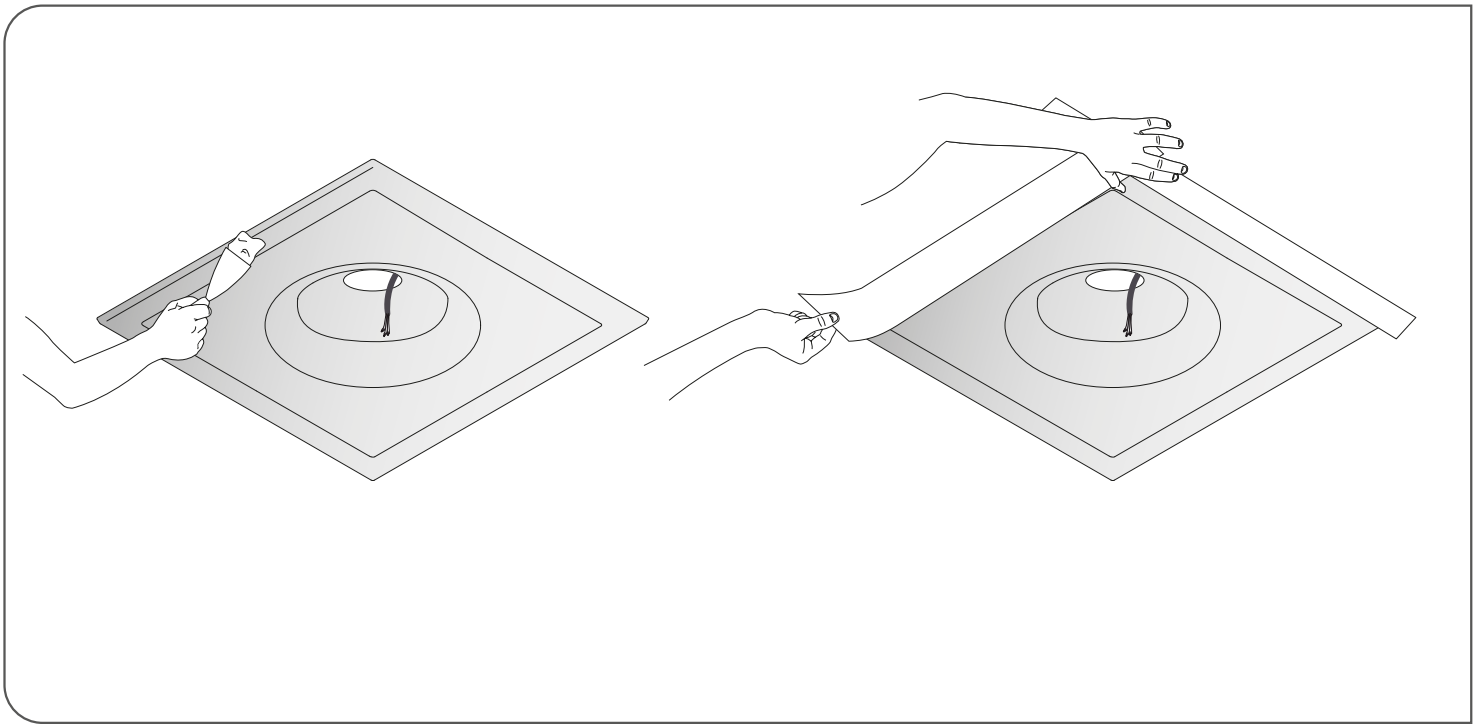
TYPE N°1 5 kg or less

REF.	PRODUCT	SIZE A (mm)	SIZE B (mm)	SIZE H (mm)
SA.1001.1	USO 332	570	380	*
SA.1022.1	USO 400	400	400	*
SA.1024.1	USO 500	525	525	*
SA.1030.1	USO 600	600	600	*
SA.1034.1	USO KAP 105	352	352	*
SA.1035.1	USO KAP 145	452	452	*
SA.1039.1	TEARDROP SMALL	670	670	*
SA.3008.1	USB BOX ROUND 210	∅ 270		*
SA.3009.1	USB SQUARE 1L W-W 50W MAX	280	220	*
SA.3017.1	USB ROUND 1L 50W MAX.	255	255	*
SA.3017.3A	USB ROUND 1L 15W CRI90	255	255	108,2
SA.3018.1	USB ROUND 2L 50W MAX.	327	255	*
SA.3019.1	USB ROUND 1L W-W 50W MAX.	280	220	*
SA.3020.1	USB ROUND 2L W-W 50W MAX.	327	255	*
SA.3021.1	USB SQUARE 1L 50W MAX.	255	255	*
SA.3022.1	USB SQUARE 2L 50W MAX.	327	255	*
SA.3023.1	USB SQUARE 2L W-W 50W MAX.	330	255	*
SA.6600.1	LIGHT SUPPLY SOFT ADJUSTABLE NO TRIM	350	350	*

*According to the catalogue

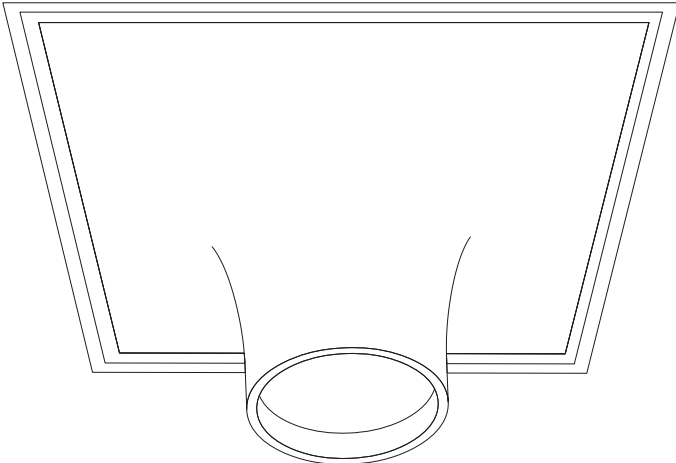


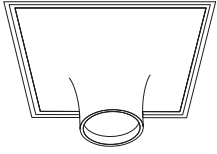




USOS

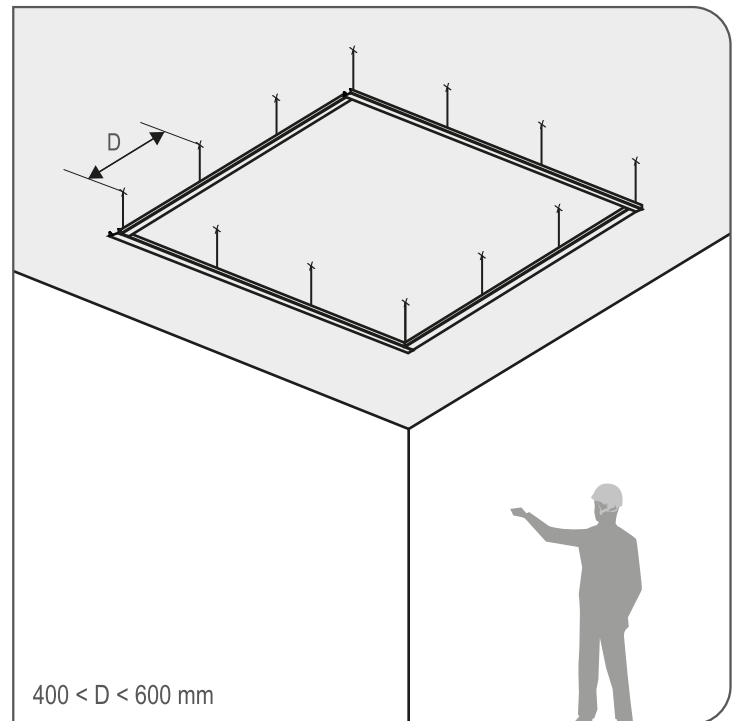
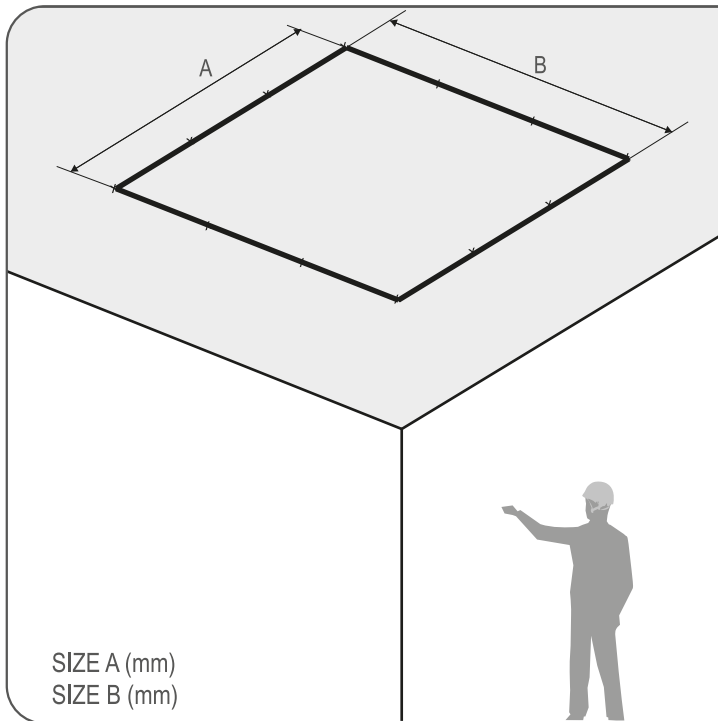
TYPE N°2 more than 5kg

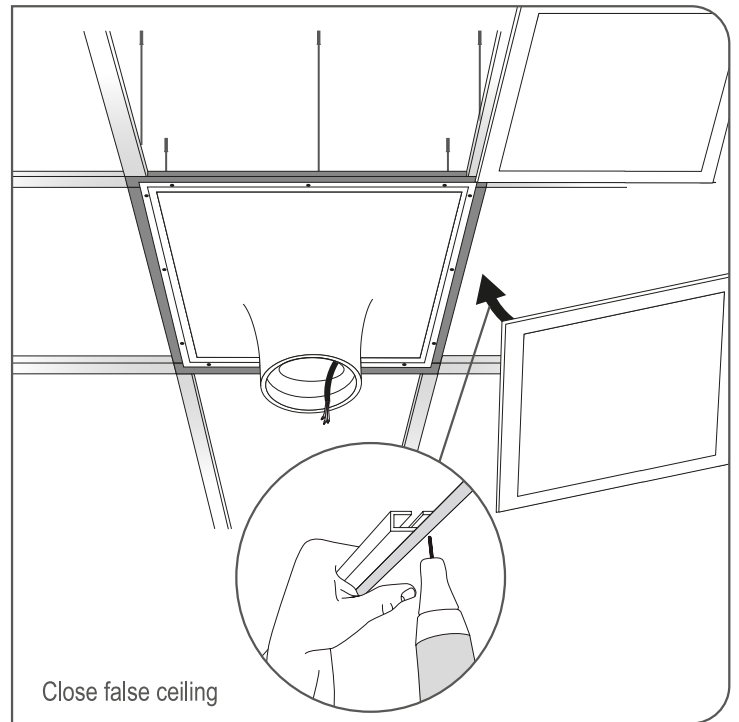
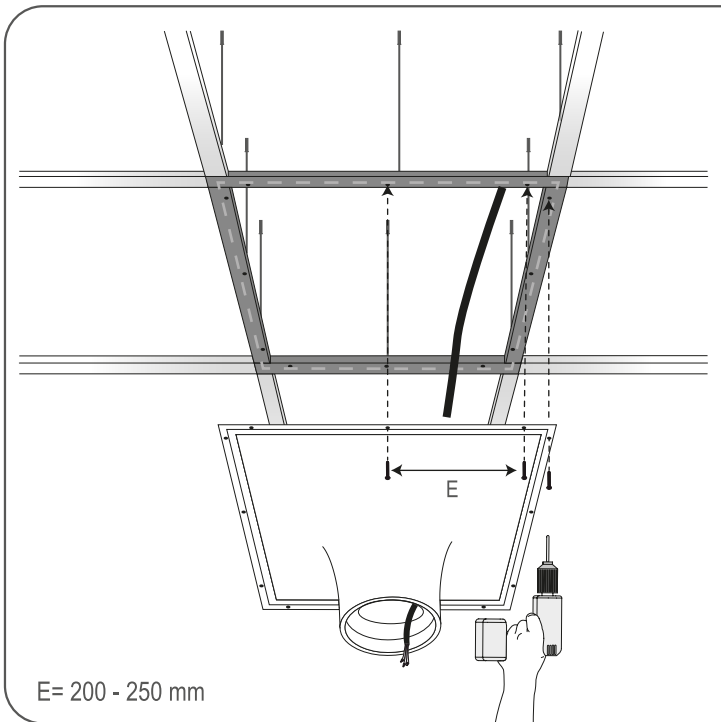
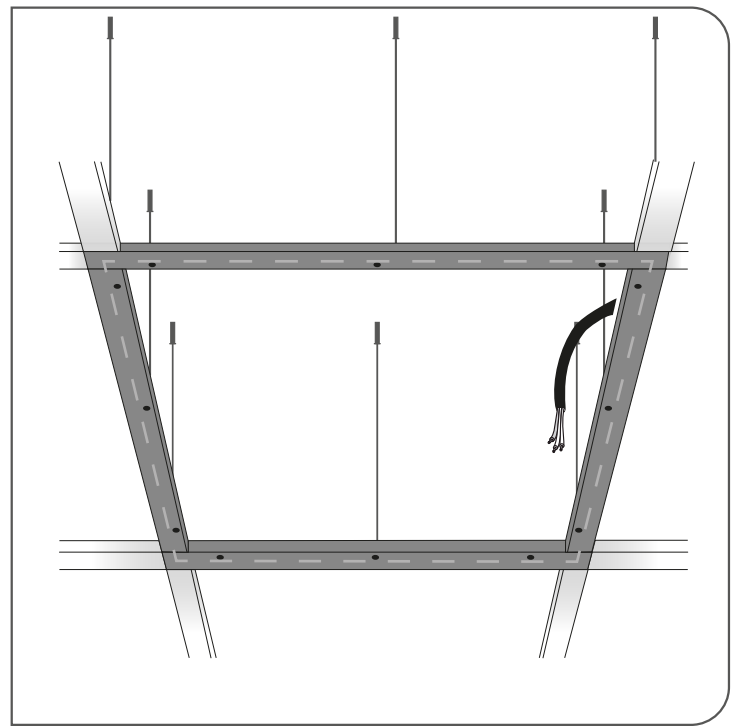
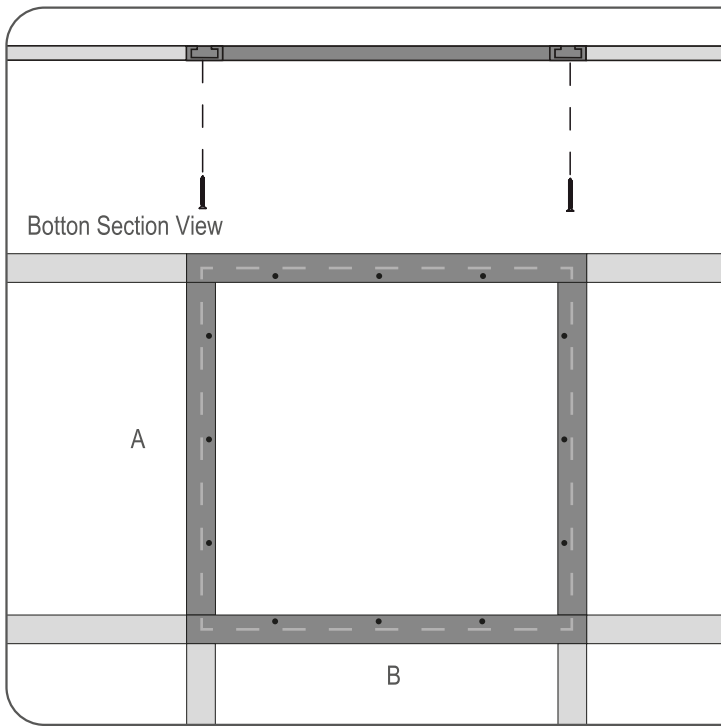


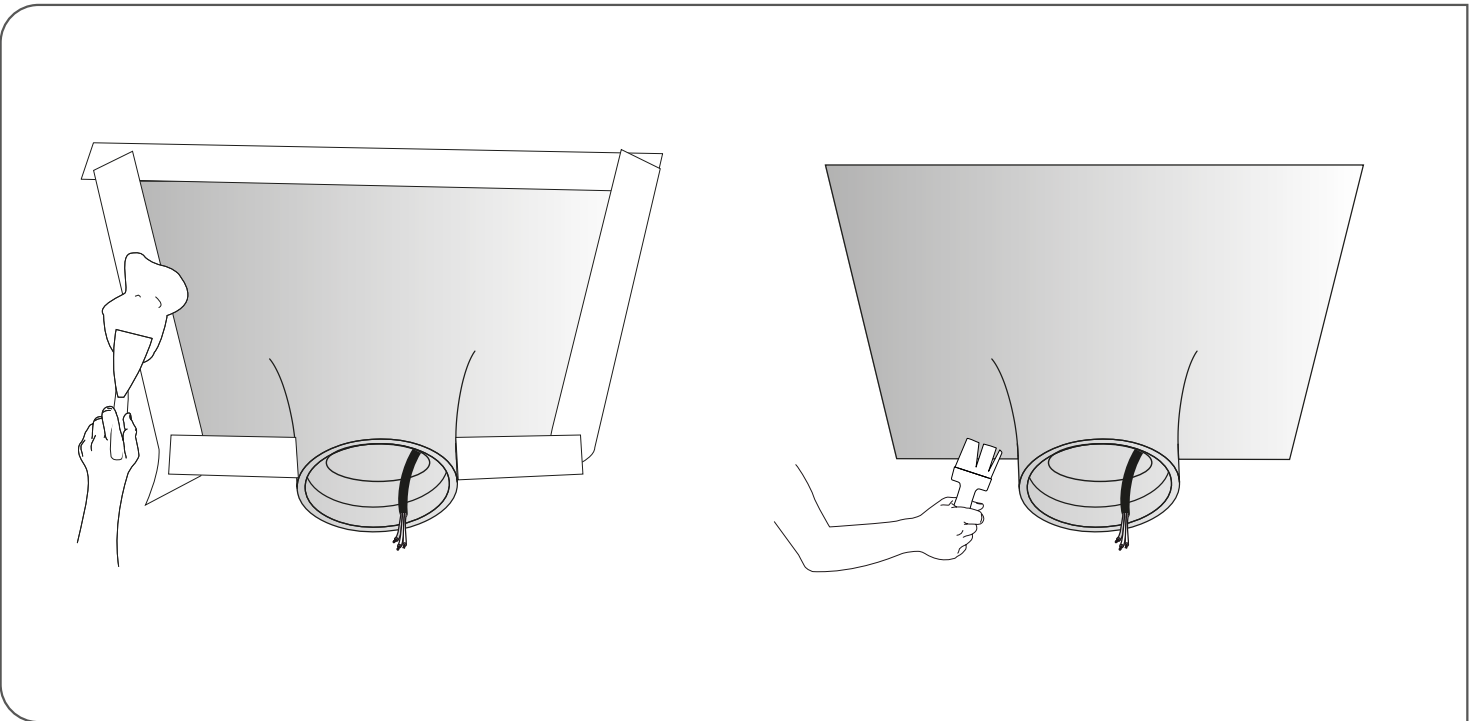
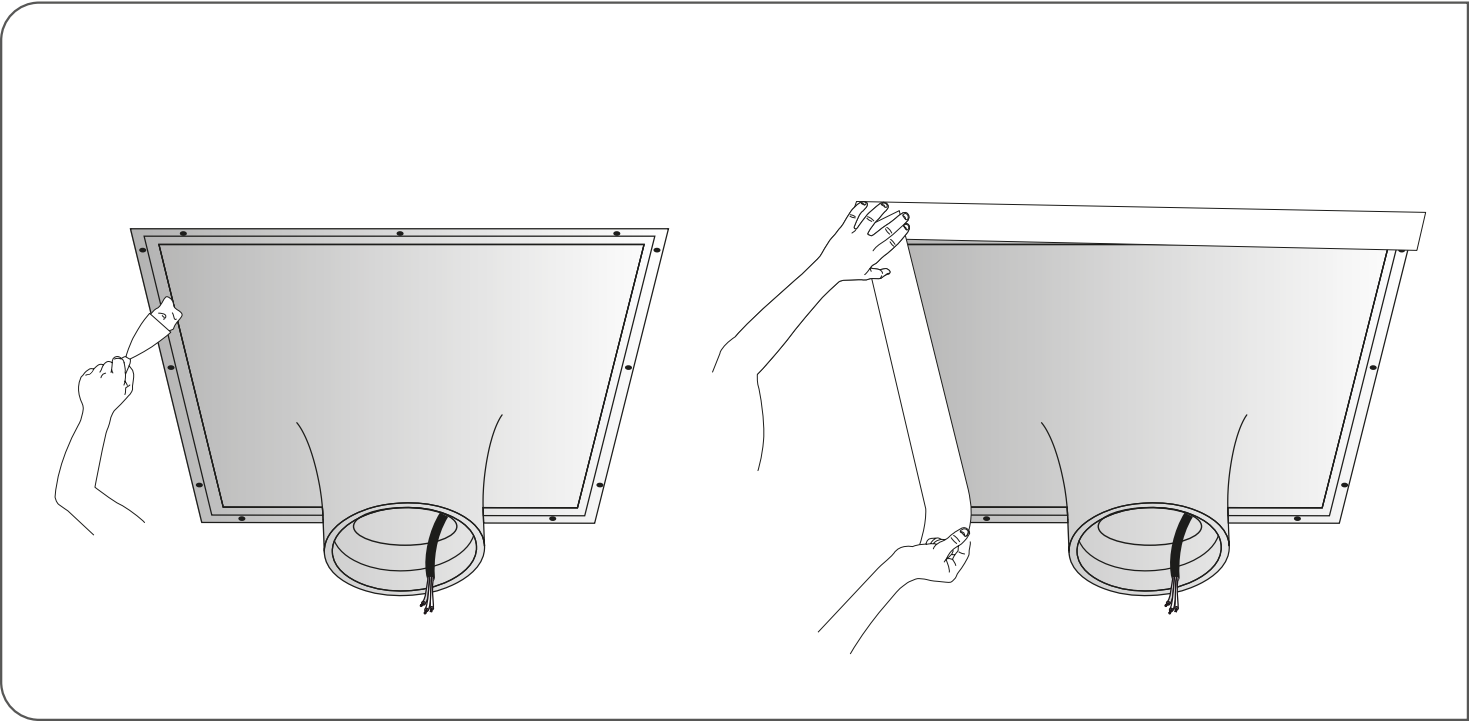


TYPE Nº2 more than 5 kg

REF.	PRODUC	SIZE A (mm)	SIZE B (mm)
SA.1002.1	USO 700	700	700
SA.1003.1	USO 800	800	800
SA.1004.1	USO 1000	1000	1000
SA.1005.1	USO 1400	1400	1400
SA.1006.1	USO 900	1400	1400
SA.1010.1	USO 100 50	1000	1000
SA.1011.1	USO 140 90	1400	1400
SA.1014.1	USO BOOB	600	600
SA.1015.1	USO BOOB 2L	900	600
SA.1040.1	TEARDROP MEDIUM	800	800
SA.1041.1	TEARDROP LARGE	1300	1300
SA.4006.1	USL 900 DISK ON CERRADO	1700	1700
SA.4008.1	USL CONE RECESSED 60 31 R	600	600
SA.4010.1	USL CONE RECESSED 60 31 RE	640	640



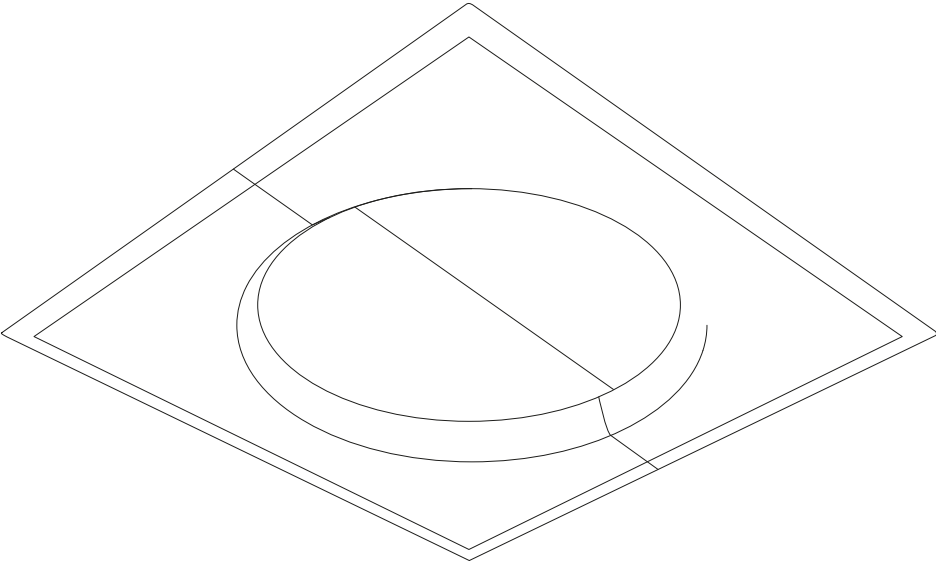


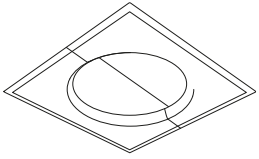


USOS

TYPE N°3

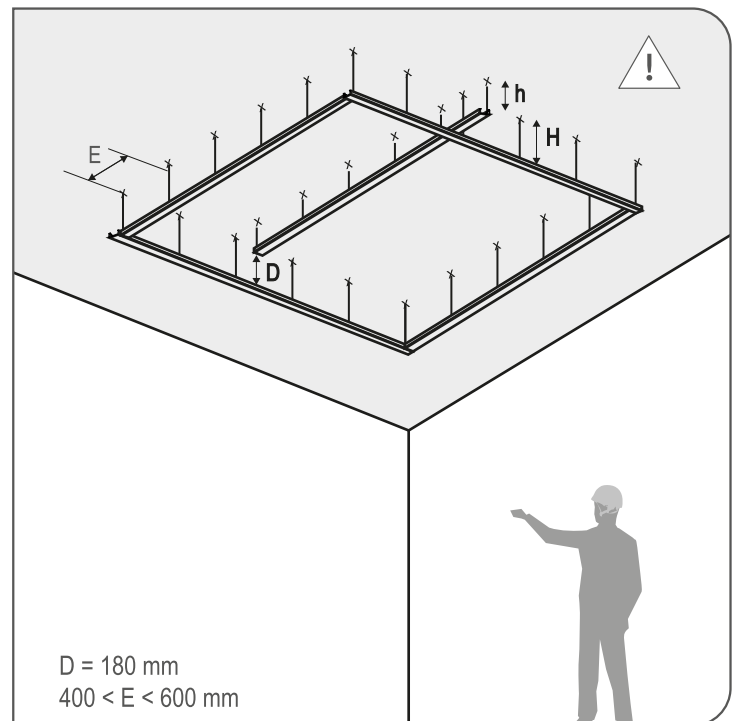
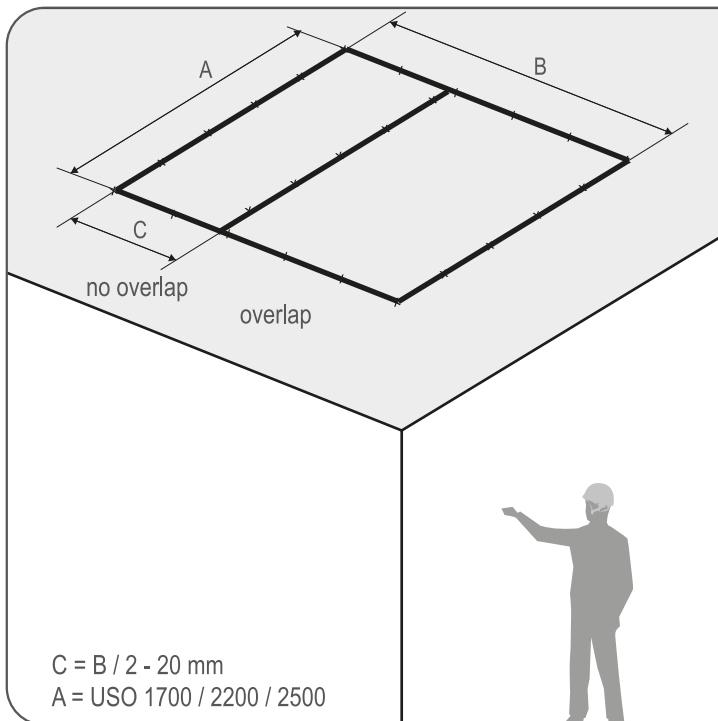
cut pieces

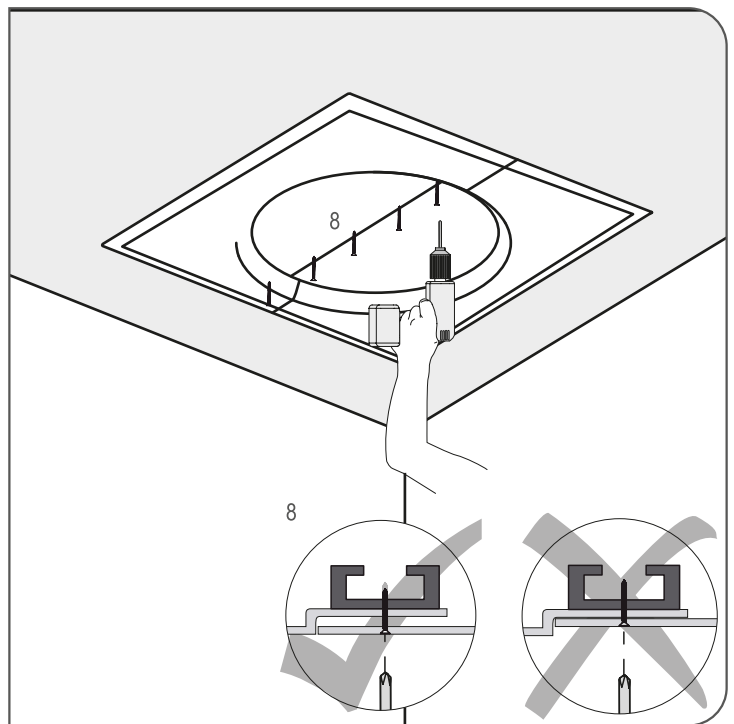
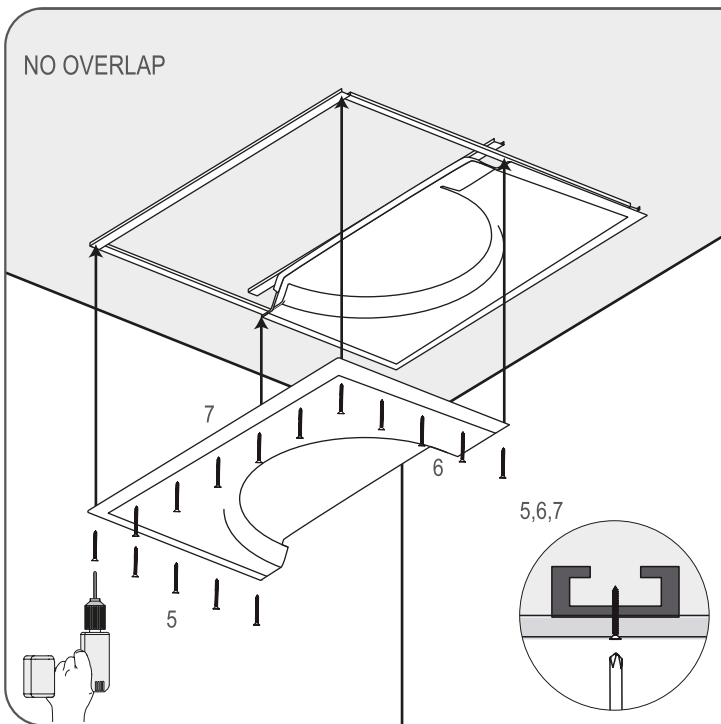
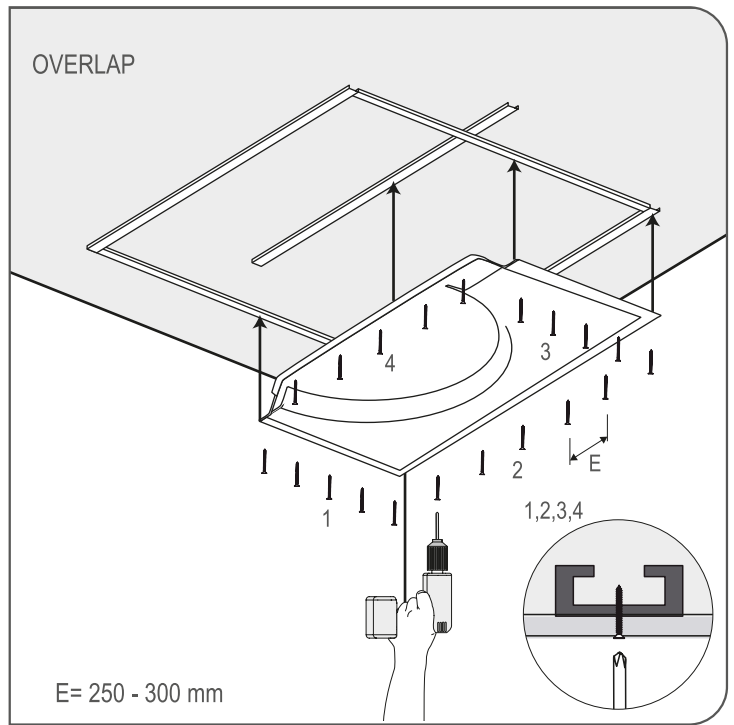
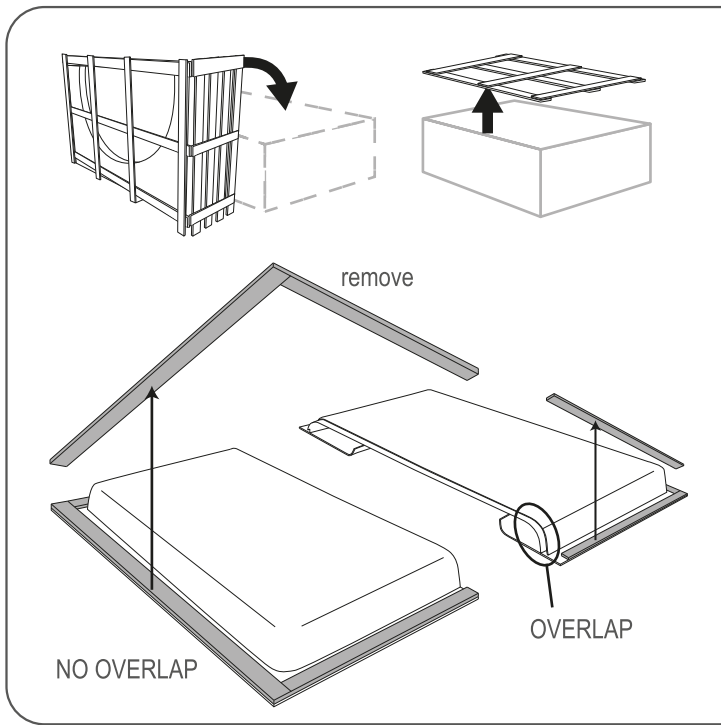


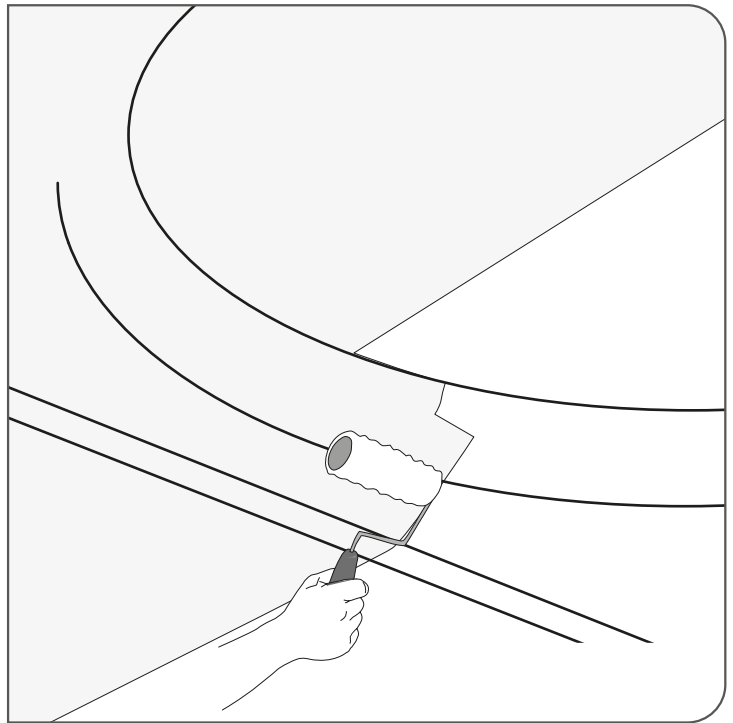
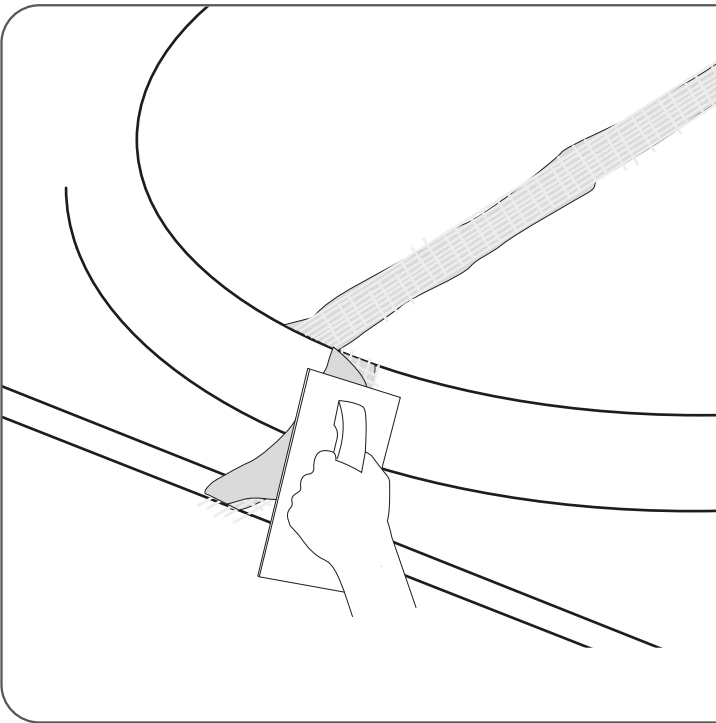
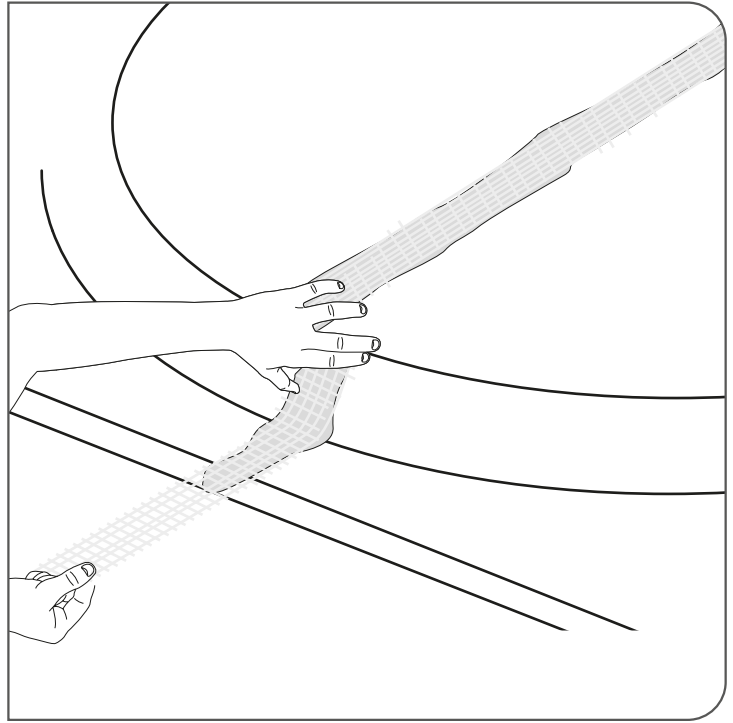
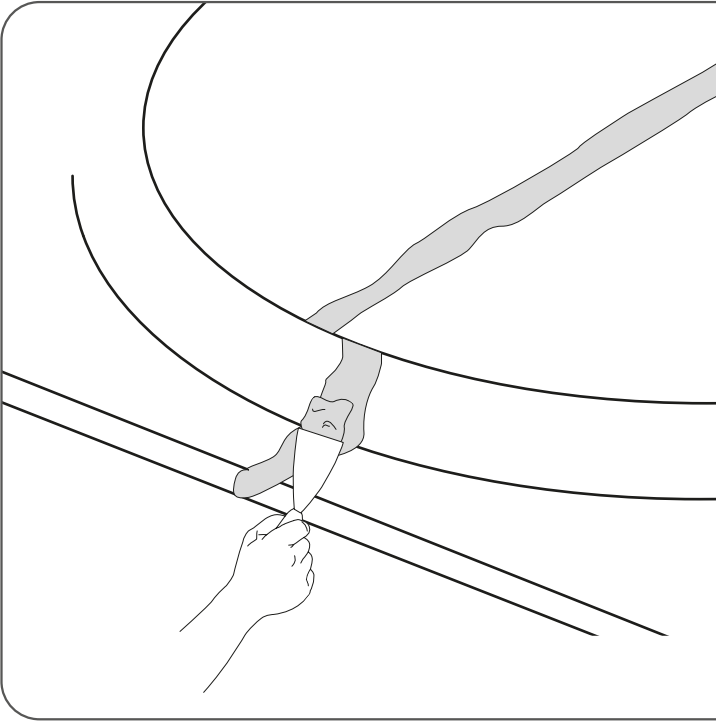


TYPE N°3 cut pieces

REF.	PRODUC	SIZE A (mm)	SIZE B (mm)
SA.1007.1	USO 1700	2200	2200
SA.1008.1	USO 2200	2700	2700
SA.1009.1	USO 2500	3000	3000

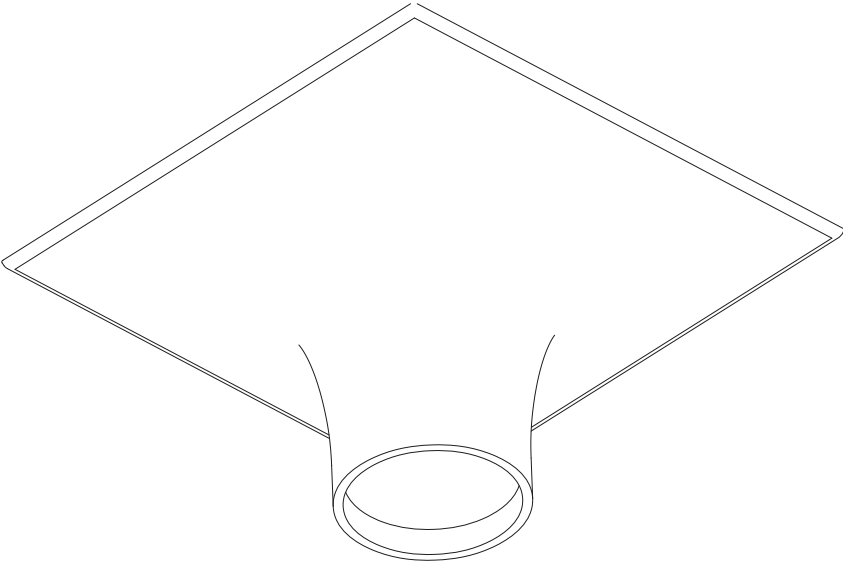


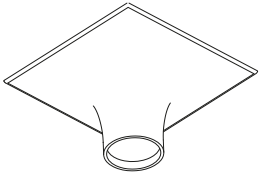




USOS

TYPE N°4 system ceiling





TYPE N°4 system ceiling

REF.	PRODUC	SIZE A (mm)	SIZE B (mm)
SA.1017.1	USO 330 SC	595	595
SA.1018.1	USO 332 SC	595	595
SA.1019.1	USO BOOB 600 SC	595	595
SA.4009.1	USL 6060 SC	595	595

